



# OIL FIELD PRODUCTS

## SUBSEA DIFFERENTIAL PRESSURE TRANSDUCER MODEL 6-15

The **Model 6-15** is specifically designed for use in undersea applications where accurate, reliable, high performance pressure measurement is required.

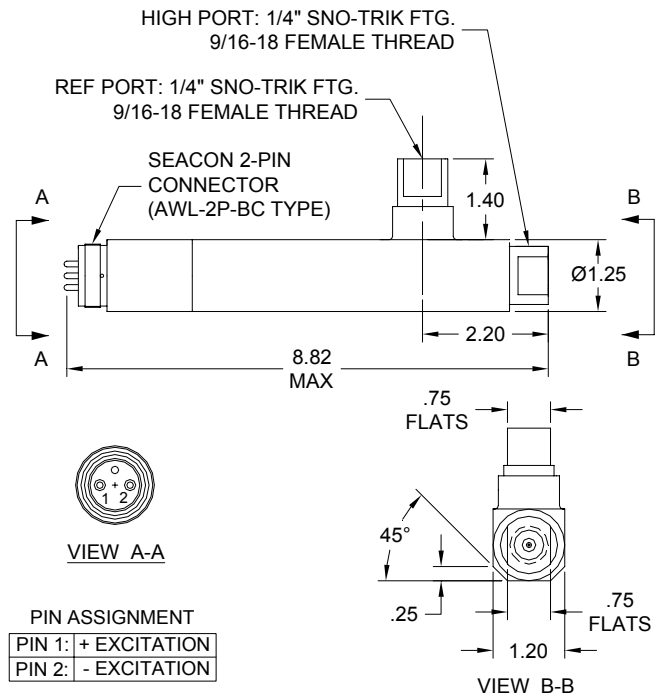
The **Model 6-15** utilizes two (2) micro-machined silicon pressure sensors with outputs electronically subtracted to provide a differential output signal. The sensors are isolated from all media by a 316L stainless steel isolator diaphragm. Silicon, as a material, tolerates very high bending stresses with virtually no hysteresis. This allows high electrical outputs with very little stress, which translates into excellent linearity, increased long-term stability & reliability.

Micro-machined silicon pressure sensors provide accuracies down to  $\pm 0.25\%$  with effectively no hysteresis and a long-term drift of less than 0.25% FSO for one (1) year & proof pressures greater than 5X the rated line pressure.

The **Model 6-15** is fabricated of all-welded 316 stainless steel & is compliant with MIRO175-97 for corrosive service & is rated for an operating depth of 3000 meters (10,000ft.)



**All-welded 316L SST Construction**  
**Fully Compliant with MIRO175-97**  
**Exceptional Long-term Stability**  
**Rated for use to a depth of 3000 meters**  
**No Hysteresis**  
**Static Error Band of  $\pm 0.25\%$  FSO**



- *MUX Control Systems*
- *Wellhead Measurement*
- *SubSea Blowout Preventers*

# MODEL 6-15

# SUBSEA DIFFERENTIAL PRESSURE TRANSDUCER

## Product Specifications

### Performance

Output Signal	4-20mADC
Accuracy L & R	±0.25%FSO @ 21°C (BFSL)
Zero & Span Offset	±1.0%FSO @ 21°C
Long-term Stability	±0.25%FSO/Year
Compensated Temperature	-30°C to 85°C (-22°F to 185°F)
Temperature Effect	±0.50% Over the Compensated Temperature Range

### Operating

Input Power	15 - 30 VDC
Insulation Resistance	50 megohms @ 100 VDC
Dielectric	500 VAC, 50-60Hz, 5mA max, 1 minute
Proof Pressure	150% of Rated Range
Burst Pressure	200% of Rated Range or 30KSPI, whichever is less
Reverse Polarity	Current Limiting
Operating Life	100 Million Full Scale Cycles

### Environmental

Max Operating Temperature	-40°C to 125°C (-40°F to 250°F)
EMI/RFI	100volts/meter up to 1.0GHz
Wetted Parts	316L SST
Vibration	15 G's, 10 - 2000Hz
Shock	100 G's for 11ms, Half-sine
Enclosure	NEMA 4 & 4X

## Ordering Information

	<b>6 - 15</b>	<b>X - XX</b>	<b>X</b>	<b>X - XX</b>
<b>Instrument Family</b>				
6 = Micro-machined Silicon				
<b>Sensor Type</b>				
15 = Differential Pressure Transmitter (4-20mADC)				
<b>Reference Pressure</b>				
0 = Absolute				
<b>Pressure Ranges</b>				
00 = 200 PSI				
01 = 6000 PSI				
02 = 7500 PSI				
<b>Pressure Fittings</b>				
0 = 2X MS33656-E4 Male (SAE J514-4)				
<b>Electrical Connections</b>				
0 = PT06E-10-6P				
1 = 1/2NPT 4-Wire Conduit				
2 = PT06E-10-4P				
3 = Seacon AWL-2P-BC				
<b>Custom Configurations</b>				
00 = No Custom Requirements				



*An Electromotive Solutions Company*  
**ISO 9001:2000 & AS9100:2004 Certified**

2800 ANVIL STREET NORTH ST. PETERSBURG, FL 33710 USA  
PHONE: (727) 347-2181 Fax: (727) 347-7520 Email: sales@vsensors.com