

# Rotary Precision Potentiometers

## Optional Rotary Mechanical Configurations

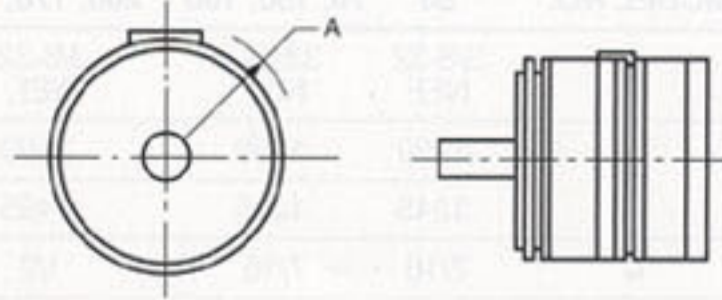
### GANGING

Unless otherwise indicated, ganged units are factory phased and locked into position. For applications requiring phase adjustability between cups in the field the following ganging configurations are available:

#### CLAMP LUG GANGING

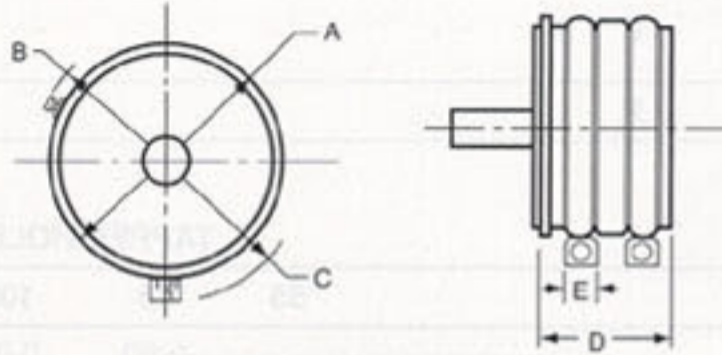
SERIES	70	100	170	200	300
MAX. ADDITIONAL LENGTH PER CUP	.635	.635	.985	.985	1.360
*"A" MAXIMUM RADIUS OVER CLAMPS	.531	.656	.968	1.125	1.625
NO. OF CLAMPS EQUALLY SPACED	3	3	3	3	6

#### CLAMP LUG GANGING



#### CLAMP BAND ASSEMBLY

SERIES	70	100	150	170	200	300
*"A" MAX. DIA.	.968	1.140	1.525	1.860	2.105	3.090
*"B" MAX. RADIUS	.593	.703	.906	1.031	1.156	1.812
*"C" MAX. RADIUS	.612	.730	.948	1.155	1.285	1.795
*"D" MAX. OVERALL CASE LENGTH (1 CUP)	.718	.718	.875	1.062	1.062	1.350



#### CLAMP BAND ASSEMBLY

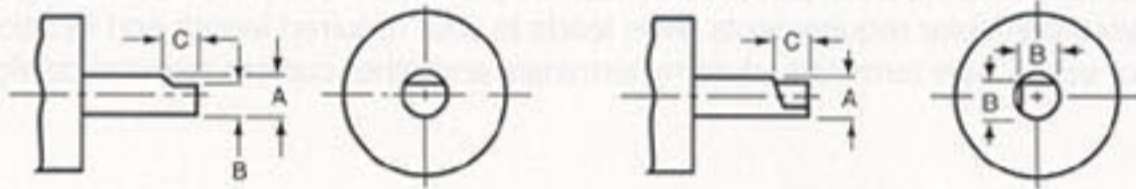
Potentiometer cups can be ganged with other potentiometer cups and/or with VERNITRON Precision Commutators. Ganging is usually done with cups of the same diameter. Ganging between cups of different diameters can be provided on a custom basis.

### SHAFT ENDINGS

Shown below are commonly used special shaft endings. Shafts containing integral gears, splines and other similar custom features can be provided to your order.

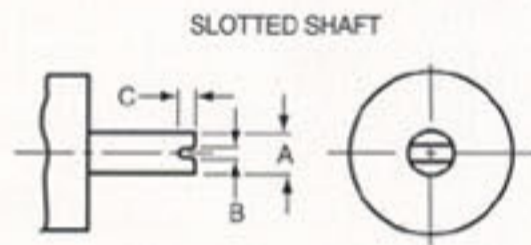
#### SINGLE & DOUBLE FLAT

A (DIA.)	B	C (LENGTH)
3/32	.080	1/8
1/8	.107	1/8
3/16	.160	3/16
1/4	.213	3/16



#### SLOTTED SHAFT

A (DIA.)	B (WIDTH)	C (LENGTH)
3/32	.015	.030
1/8	.030	.045
3/16	.062	.093
1/4	.062	.093



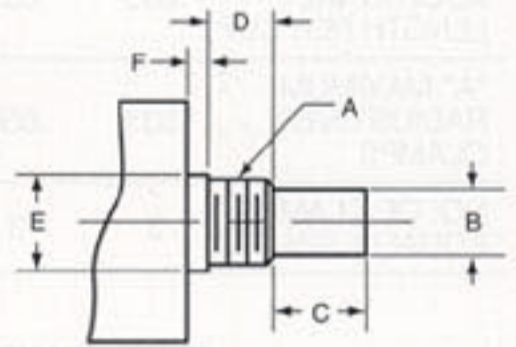
### MOUNTING

Shown below are commonly used special mountings. Mountings containing integral gears, ear lugs and other similar custom features can be provided to your order.

#### BUSHING MOUNT

MODEL NO.	SERIES					
	56	70, 150, 100	200, 170, 300	5000	7800	20000
A	3/8-32 NEF	3/8-32 NEF	3/8-32 NEF	1/4-32 NEF	3/8-32 NEF	3/8-32 NEF
B	.1250	.1250	.2500	.0937	.1250	.2500
C	.1245	.1245	.2495	.0932	.1245	.2495
D	7/16	7/16	1/2	7/16	1/2	3/8
E	1/4	1/4	1/4	1/4	1/4	3/16
F	-	-	-	-	-	.4082
						.4052
						1/14

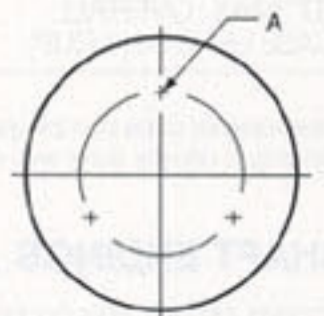
#### BUSHING MOUNT



#### TAPPED HOLE MOUNT

	55	78	105	175	205	305	5010
"A" THREAD SIZE	0-80	0-80 2-56 4-40	0-80 2-56 or 4-40	2-50 4-40 8-32	2-50 4-40 6-32 8-32	8-32	0-80
BOLT CIRCLE DIA ±.005	.408	.670	.875	1.450	1.700	1.750	.344
MAX. DEPTH OF HOLE	.125	.125	.125	.187	.187	.187	.055

#### TAPPED HOLE MOUNT



### TERMINALS

Unless otherwise indicated, terminals are precious-metal plated solder lug type. Their locations can be varied to meet your particular requirements. Wire leads to your required length and location, with or without integral connectors, bolt or screw type terminals, dummy terminals and other custom terminal configurations are available to suit.